



POLYVALENT HYDRAULIC GATE CLOSER

Item No. SAMSON-2



The next generation of gate closers. Even easier to install and smoother functioning. The final snap can easily be adjusted after installation by turning the corresponding adjustment screw. The Samson can be posed in almost every situation thanks to the various brackets delivered with the product. Due to the patented damping system, the operation of the gate closer is unaffected by temperature changes.

MORE INFORMATION

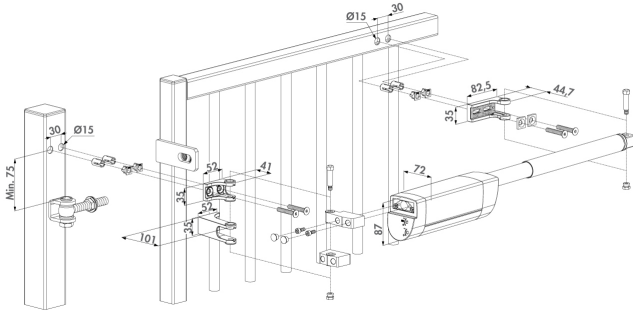
- Opening angle up to 150° depending on the situation
- Adjustable closing speed & closing pressure
- New: Continuously adjustable final snap for a perfect closing
- Specially developed for outdoor use: industrial quality
- Closing speed unaffected by temperature changes
- Fast and easy fixing: Quick-Fix
- For left & right turning gates
- For gates up to 150 kg (max 2 m wide)
- Tested at 500.000 movements
- Tested from -30 °C up to +70°C

AVAILABLE IN FOLLOWING RAL-COLOURS



To be able to serve you better, Locinox uses cookies. If you continue to use our site you agree to the use of these cookies. [Hide](#) [More information](#)

FEATURES



To be able to serve you better, Locinox uses cookies. If you continue to use our site you agree to the use of these cookies. [Hide](#) [More information](#)