



INSERT LOCK WITH 35 MM BACKSET

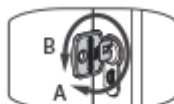
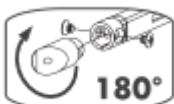
Item No. H-Metal

Insert lock with 100% stainless steel mechanism. The massive stainless steel hook and adjustable latch bolt makes this a one of a kind lock. The combination of the hook (dead bolt) with the corresponding keep provides a secure anchoring of your gate. These locks can be used on metal or aluminium gates or with our fully prepared steel profiles.

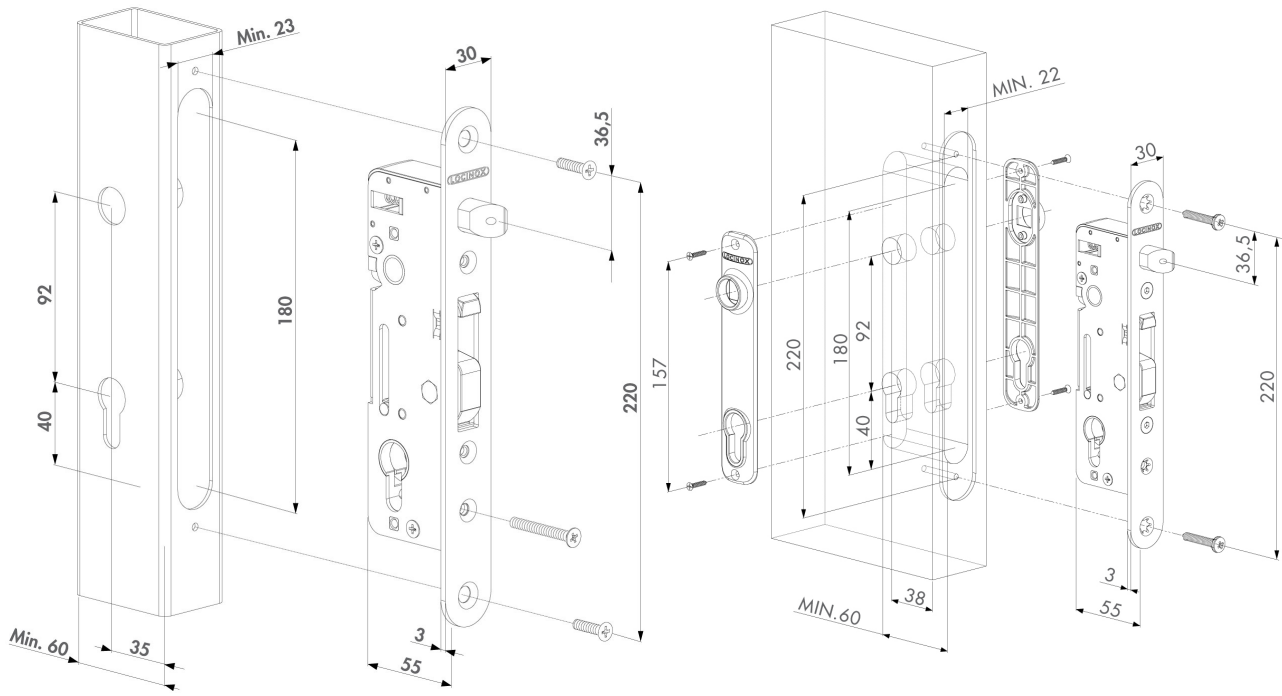


- Easy left or right changing of the self-latching daybolt
- Key-operated self-latching bolt
- Adjustment of the latch bolt up to 20 mm continuous without dismounting the lock
- Mechanism, hook, frontplate, latchbolt: stainless steel
- Handles and cylinder to be ordered separately
- Stainless steel hook for secure anchoring
- Throw of the hook: 33 mm
- Center-distance cylinder \Leftrightarrow handles \Rightarrow 92 mm
- Hook in combination with the Locinox keep provides a secure anchoring
- With coverplate for lockmechanism against dirt penetration
- Compatible with 54 mm, 60 mm and 80 mm Europrofile cylinder
- Cover shield for handle & cylinder holes to be ordered separately

FEATURES



To be able to serve you better, Locinox uses cookies. If you continue to use our site you agree to the use of these cookies. [Hide](#) [More information](#)



To be able to serve you better, Locinox uses cookies. If you continue to use our site you agree to the use of these cookies. [Hide](#) [More information](#)