



INDUSTRIAL LOCK

Item No. LAKQU2

Industrial lock with aluminium housing and stainless steel mechanism. We advise this lock as a standard for all your industrial gates. The 20 mm continuous adjustability of the bolts allows a perfect alignment of your locking mechanism. A solid stainless steel deadbolt with a 23 mm throw guarantees a secure locking. Standard supplied with aluminium handle pair.

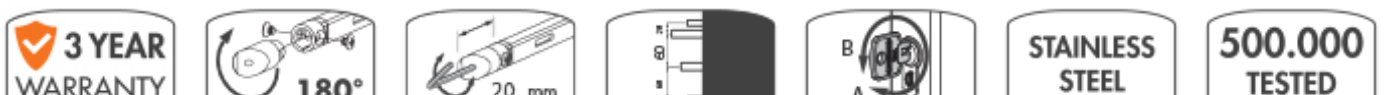


- ISO 9227 KTL / E-coated lockbox withstands 1000 hours of salt spray test
- Easy left or right changing of the self-latching daybolt
- Throw of the deadbolt, 23 mm in 1 turn of the key
- Key-operated self-latching bolt
- 4-hole fixing with two hexagon socket head screws
- Center distance bolts: 60 mm
- Adjustment of the bolts up to 20 mm continuous without dismounting the lockbox
- Stainless steel mechanism

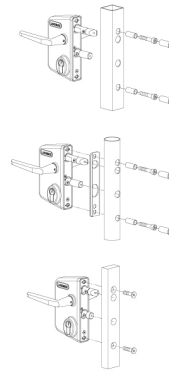
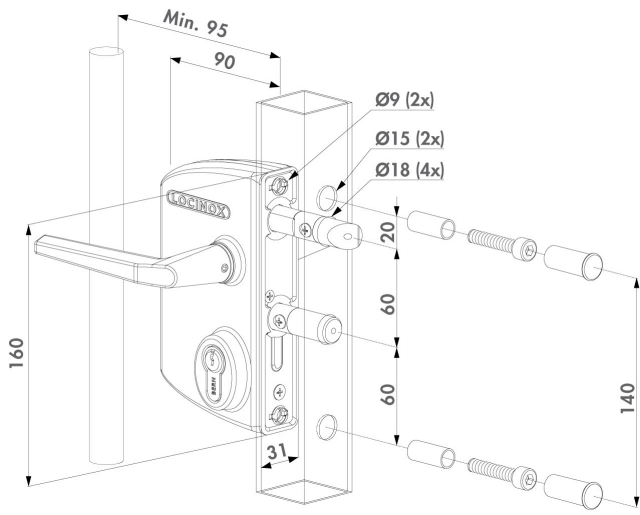
AVAILABLE IN FOLLOWING RAL-COLOURS



FEATURES



To be able to serve you better, Locinox uses cookies. If you continue to use our site you agree to the use of these cookies. [Hide](#) [More information](#)



To be able to serve you better, Locinox uses cookies. If you continue to use our site you agree to the use of these cookies. [Hide](#) [More information](#)